



## AI DASH CAM WITH BUILT-IN DSM AND ADAS FUNCTIONS

The AI Dash Cam from Gatekeeper is an AI-based dash cam that offers Driver Status monitor (DSM) and Advanced Driver Assistance Systems (ADAS) functions which detect and alert various driving events and unsafe driving behaviour. The camera supports real time local driver notifications and is equipped with GPS. When connected to a G4 Enterprise server utilizing either Wi-Fi or cellular, live streaming and previously recorded events are available which enables realtime coaching ,remote viewing, event analysis, and long-term storage.

# GATEKEEPER

## AI DASH CAM

## REAL TIME NOTIFICATIONS PROTECTING DRIVERS & PASSENGERS



### KEY SPECIFICATIONS

- Forward facing camera:
  - Resolution up to 5MP (2560 x 1920) @ 30 FPS
  - Ultra-wide 140° Field of View
  - Advanced Driver Assistance Systems (ADAS) functionality
- Built-in Wi-Fi 2.4 GHz and 4G LTE cellular
- Built-in Wi-Fi GPS and 6-axis inertia sensor
- Driver facing camera:
  - Resolution up to 1080P (1920 x 1080) @ 30 FPS.
  - Ultra-wide 170° Field of View
  - Driver Status Monitor (DSM) functionality
- H.264/H.265 video encoding
- Supports two Micro SD cards
- USA – National Defense Authorization Act (NDAA) compliant

## EVENT RECORDING & ANALYSIS IMPROVED DRIVER TRAINING

# GATEKEEPER

Gatekeeper Systems Inc.  
301-31127 Wheel Avenue  
Abbotsford, BC V2T 6H1  
Canada

Gatekeeper Systems USA Inc.  
200 Rittenhouse Circle Suite 7E  
Bristol, PA 19007  
USA

The AI Dash Cam is equipped with two built-in cameras. The forward facing camera supports 5MP (2560 x 1920) with ADAS functionality. The driver facing camera supports resolution 1080p (1920 x 1080) with DSM functionality. With two removable Micro SD cards, the AI Dash Cam supports total video storage of up to 1TB.

Videos can be viewed remotely using Gatekeeper's G4 Viewer Plus software. The AI Dash Cam device settings are configurable wirelessly using G4 Connect software application available for Android and iOS mobile devices.

### SPECIFICATION

VIDEO RECORDING	Up to 4 channels (Internal: 2 channels; External: 2 additional channels)
CAMERA RESOLUTION	Built-in Cameras: Forward facing camera: 5MP (2560 x 1920) @ 30 FPS Driver facing camera: 1080P (1920 x 1080) @ 30 FPS 2 additional camera channels (optional): 1 x AHD camera up to 1080P @ 20 FPS 1 x IP camera up to 720P @ 20 FPS
IMAGE SETTING	Adjustable Brightness, Chroma, Contrast, Color Saturation, Sharpness
VIDEO CODING	H.265 / H.264
VIDEO BIT RATE	500 Kbps – 8 Mbps
AUDIO COMPRESSION	ADPCM, G.711, G.726. Default: ADPCM
BUILT IN SPEAKER	Included, adjustable volume

### STORAGE

MICRO SD CARD	32GB / 64GB / 128GB / 256GB / 512 GB
---------------	--------------------------------------

### FORWARD FACING CAMERA SPECIFICATIONS

SENSOR	1/2.7" 5M pixel CMOS Sensor
ELECTRONIC SHUTTER	1/30 Second - 1/100000 Second
LENS	Focal length: 2.8mm
S/N	≥48db
LENS MOUNT	Built-in lens
WIDE DYNAMIC RANGE (WDR)	Digital WDR
BACKLIGHT COMPENSATION	Supported

### DRIVER FACING CAMERA SPECIFICATIONS

SENSOR	1/2.7" 5M pixel CMOS Sensor
ELECTRONIC SHUTTER	1/30 Second - 1/100000 Second
LENS	Focal length: 2.2mm
S/N	≥45db
LENS MOUNT	Built-in lens
WIDE DYNAMIC RANGE (WDR)	Digital WDR
BACKLIGHT COMPENSATION	Supported
INFRARED LAMP	Supported

### NETWORK

WIFI	802.11 a/b/g/n 2.4GHz
CELLULAR	4G LTE

### GPS

SENSOR	Built-In 6-axis Sensor & Environmental Light Sensor supported
--------	--

### PORTS

RS232	1 channel input
I/O PORT	4 channel input
AV OUT	1 channel
USB	1 mini-USB port

### POWER

POWER	12V and 24V nominal
NORMAL POWER CONSUMPTION	7.56W
PEAK POWER CONSUMPTION	12.66W

### PHYSICAL

DIMENSIONS (L X W X H)	4.45" x 2.67" x 3.47" (113 mm x 67.8 mm x 88.2 mm)
------------------------	--

WEIGHT	295g
--------	------

### ENVIRONMENTAL

OPERATING TEMPERATURE	-40°C ~ +70°C (-40°F ~ +158°F)
HUMIDITY	15~95% non-condensing

## ADAS FUNCTIONS



**LDW**  
LANE DEPARTURE WARNING



**HMW**  
HEADWAY MONITORING WARNING



**FCW**  
FORWARD COLLISION WARNING

## DSM FUNCTIONS



LENS COVERED



HANDHELD DEVICE



SEAT BELT UNFASTENED



SMOKING

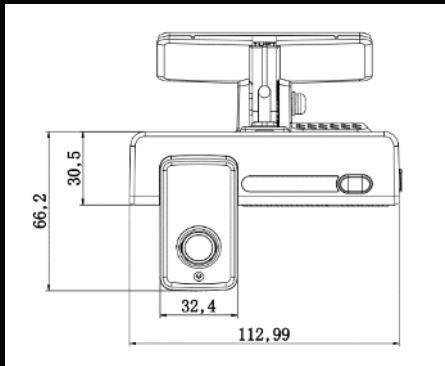


DISTRACTION

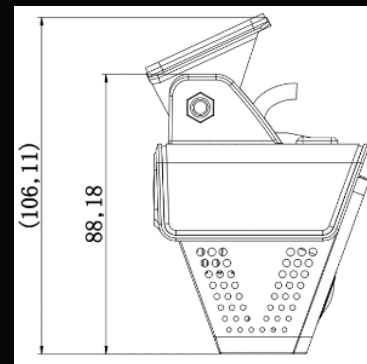


YAWNING

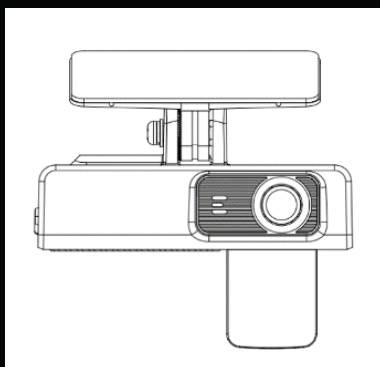
## DIMENSION DRAWINGS (UNIT: MM)



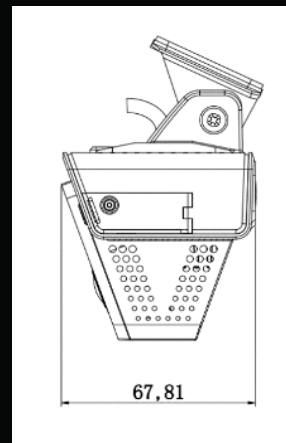
FRONT VIEW



LEFT VIEW



REAR VIEW



RIGHT VIEW

