



ALL-IN-ONE WINDSHIELD MOUNTED DASH-CAM SYSTEM

Gatekeeper's new all-in-one windshield mounted dash-cam keeps your drivers and passengers safe and accountable, while providing you with peace of mind. With its sleek and compact design, this dash-cam system keeps an eye on the action both inside and outside of the vehicle, without compromising your driver's view. The high-definition resolution ensures that still images and video footage pulled from the camera will give you reliable footage, and undeniable clarity for any incidents.

GATEKEEPER

Y62DC CAMERA

**INSIDE OR OUTSIDE,
ENSURE DRIVER
SAFETY WITH RELIABLE,
CLEAR RECORDINGS.**



KEY FEATURES

- Sleek & compact design
- Windshield mounted with 3M adhesive
- Driver facing camera option available
- Built in microphone & speaker
- Record up to 2 channels
- GPS supported
- 3 Year Warranty

EASY INSTALLATION
WINDSHIELD MOUNTED
OPTIONAL INTERNAL FACING CAMERA

GATEKEEPER

Gatekeeper Systems Inc.
 301-31127 Wheel Avenue
 Abbotsford, BC V2T 6H1
 Canada

Gatekeeper Systems USA Inc.
 7-200 Rittenhouse Circle East
 Bristol, PA 19007
 United States

AUDIO VIDEO

AV RECORDING	Video up to 2 channels Audio up to 2 channels
MAIN STREAM RESOLUTION & FRAME RATE MAX	Inside 1080p @ 30FPS Outside 720p @ 30FPS Mainstream plus 2 way Sub-Stream VGA @ 30FPS
IMAGE SETTING	Brightness, Chroma, Contrast, Saturation and Sharpness
VIDEO CODING	H.265 / H.264
VIDEO COMPRESSION BIT RATE	500Kbps - 8Mbps
AUDIO COMPRESSION STD	ADPCM
BUILT IN SPEAKER	Yes

STORAGE

SD CARD	SDXC64G/128G/256G Optional
---------	----------------------------

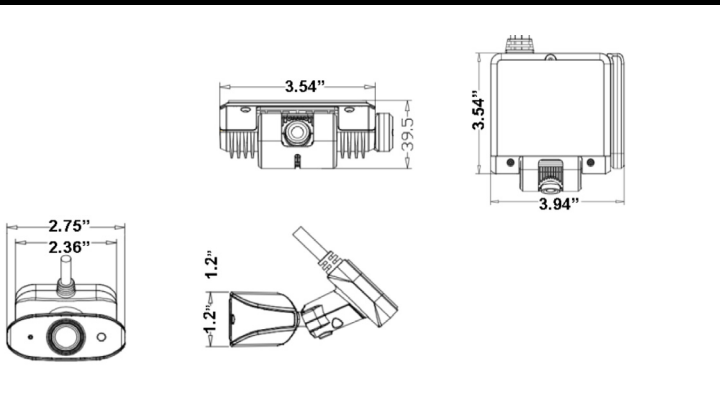
SENSOR

6-AXIS SENSOR	Supported
---------------	-----------

LED

4 indicator lights show status of DVR

POWER	Red light solid - DVR is powered
NORMAL OPERATION	Green light solid
FAULT ALARM	Red light flashes for 1 second, every 10 seconds
SLEEP	Green light flashes for 1 second, every 10 seconds



NETWORK

WIFI	Support AP and Client Mode 802.11 b/g/n 2.4GHz
BLUETOOTH	Supported
LOCATION	
GPS	Supported
POWER	
OUTPUT	5VDC@500mA, 12VDC@500mADC
SUPPLY	9~36V
NORMAL POWER CONSUMPTION	6W
PEAK POWER CONSUMPTION	Less than 9W

PORTS

RS232	2 channels
ALARM	2 channels

ENVIRONMENT

OPERATING TEMPERATURE	-30°C to + 70°C
STORAGE TEMPERATURE	-40°C to + 85°C
HUMIDITY	95%

CAMERA PARAMETERS

SENSOR (INTERNAL CAMERA)	Varies depending on camera
SENSOR (EXTERNAL CAMERA)	1/2.9" 2M pixel CMOS Sensor
ELECTRONIC SHUTTER	1/30 Second-1/100000 Second
LENS	Inside: Varies depending on camera Outside: 4mm
LENS PORT	M12
DAY/NIGHT IR-CUT	Internal: supported External: not supported
S/N	>48db

CONFIGURATION

Configuration of the Y62DC requires either G4 Connect (available at the Google Play Store) & an Android tablet or a Gatekeeper ICD or a connection via PC & browser.