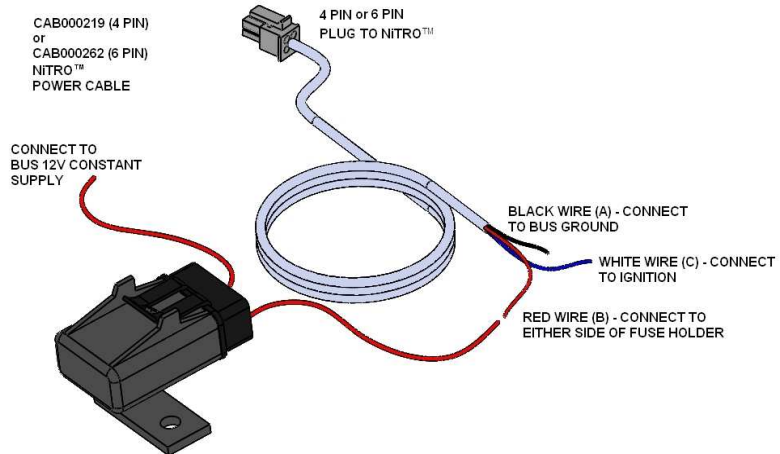




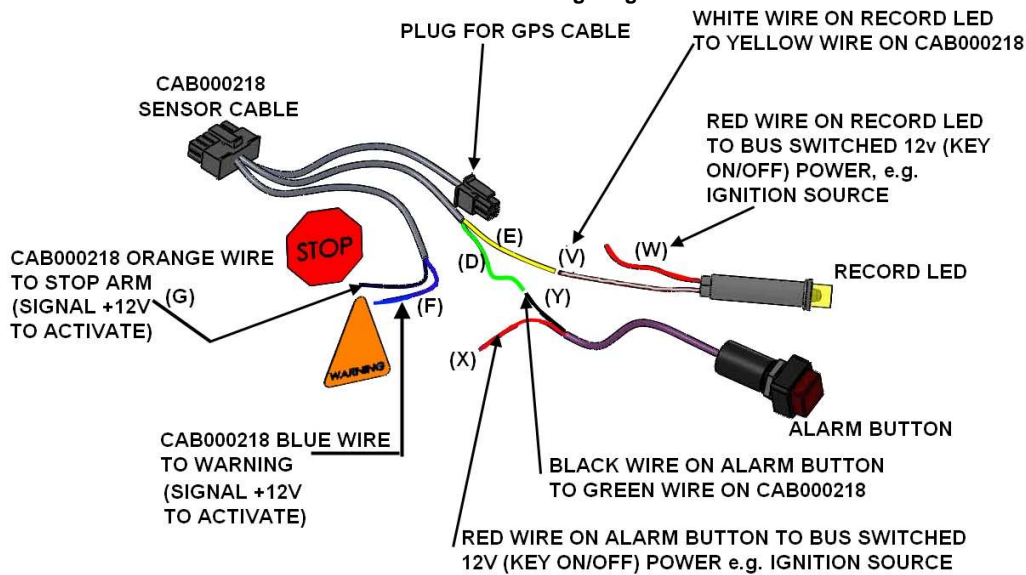
## NiTRO™ and NiTRO-X™ Cabling To CAB000218

**Please Note:** Systems which shipped prior to December 2011 have wiring information contained within the user manual, or, is available as a free download from [www.gatekeeper-systems.com](http://www.gatekeeper-systems.com)

CAB000219 and CAB000262 are power harness'. You would have received either one depending upon the type of system you ordered.



**Wiring Diagram 1**



**Wiring Diagram 1A**

CAB000218, Sensor Cable, has multiple connection points. Please ensure that the diagram to the left is followed

**POWER CABLE. CAB000219 (4PIN NiTRO™) : CAB000262 (6PIN NiTRO-X™)**

|   |       |                         |
|---|-------|-------------------------|
| A | BLACK | GROUND                  |
| B | RED   | POWER IN (Constant 12V) |
| C | WHITE | IGNITION (Switched 12v) |

**SENSOR CABLE. CAB000218**

|   |        |            |
|---|--------|------------|
| D | GREEN  | ALARM      |
| E | YELLOW | RECORD LED |
| F | BLUE   | WARNING    |
| G | ORANGE | STOP ARM   |

