



Student Protector SP-100

Gatekeeper Student Protector SP-100

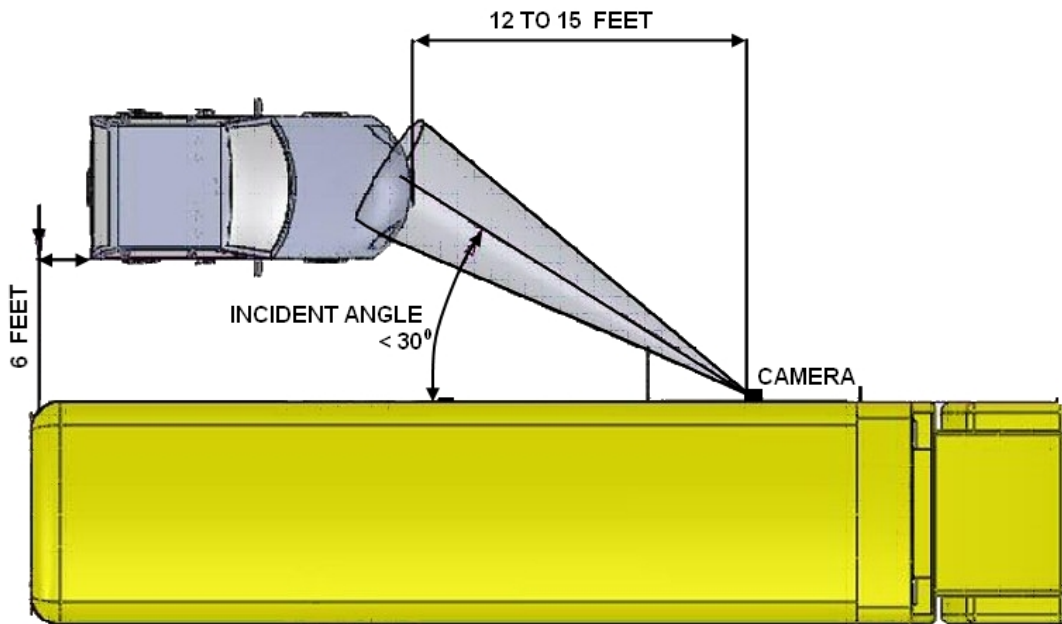
Stop Arm Camera: Installation Guide

Release 1.1

1) The SP-100 should be mounted to the side of a bus and aimed as per the diagrams below.



2) The camera should be aimed so that the extended stop arm can be seen in the corner of the camera field of view when the camera is aimed as follows:





Student Protector SP-100

- 3) In order to aim the camera it is recommended that masking tape be placed on the ground beside the bus so as to locate the position of a vehicle. Once the position is determined then a vehicle should be parked in the target position while the camera is being aimed.
- 4) The SP-100 camera must be connected to Cam 1 of N401 or N404 series recorder (note: this channel is deinterlaced in the DVR).
- 5) Before drilling any holes in the bus it is recommended that the camera be held against the side of the bus and aimed. **ENSURE THERE IS SUFFICIENT ROOM FOR THE PROTECTIVE SHROUD MOUNTING FLANGE TO SIT FLUSH TO THE SIDE OF THE BUS.** By connecting a monitor to the "video out" connector of the N401 or N404 DVR a live image can be viewed.
- 6) Once the camera position has been determined, then mark the location to drill a 3/4" hole which will be used to run the camera cable through. Drill the hole and install the supplied grommet to protect the cable.
- 7) Route the cable to the NiTRO™ DVR and connect to the Cam 1 port. Any excess cable should be bundled and secured in a location where it can not be tampered with.
- 8) Mount the white HDPE (high density polyethylene) base to the bus using the supplied Tec screws.
- 9) Finalize the camera aiming and ensure that all fasteners are tight.
- 10) Install the protective shroud around the camera using the supplied Tec screws. Ensure that the shroud does not make contact with the camera. (Note: The camera must be electrically isolated from the bus. This is why it is mounted on the insulated HDPE base).

