

Gatekeeper Student Protector SP-210 System Hardware Wiring Guide

For the following camera configuration:

One SP-210 and One SP-100

Two SP-210 and One SP-100

SP210 Direct Connect to Switched +12V

Note:

This document describes the how to wire the various hardware components associated with Gatekeepers Stop Arm Camera System.

A camera installation and aiming guide associated with Gatekeeper Stop Arm Camera System is available.

A document that describes the installation and aim of the cameras associated with Gatekeepers Stop Arm Camera System is available.

Copies of these documents are available by calling Gatekeeper Service Support at 604.864.6187

Introduction

This document describes the interconnection details for the following Stop Arm camera configurations.

Discussion

Two Stop Arm Camera systems configurations are described in this document.

Stop Arm Camera System with one SP-210 and one SP-100

This system is designed for States/Provinces that have both front and rear license plates.

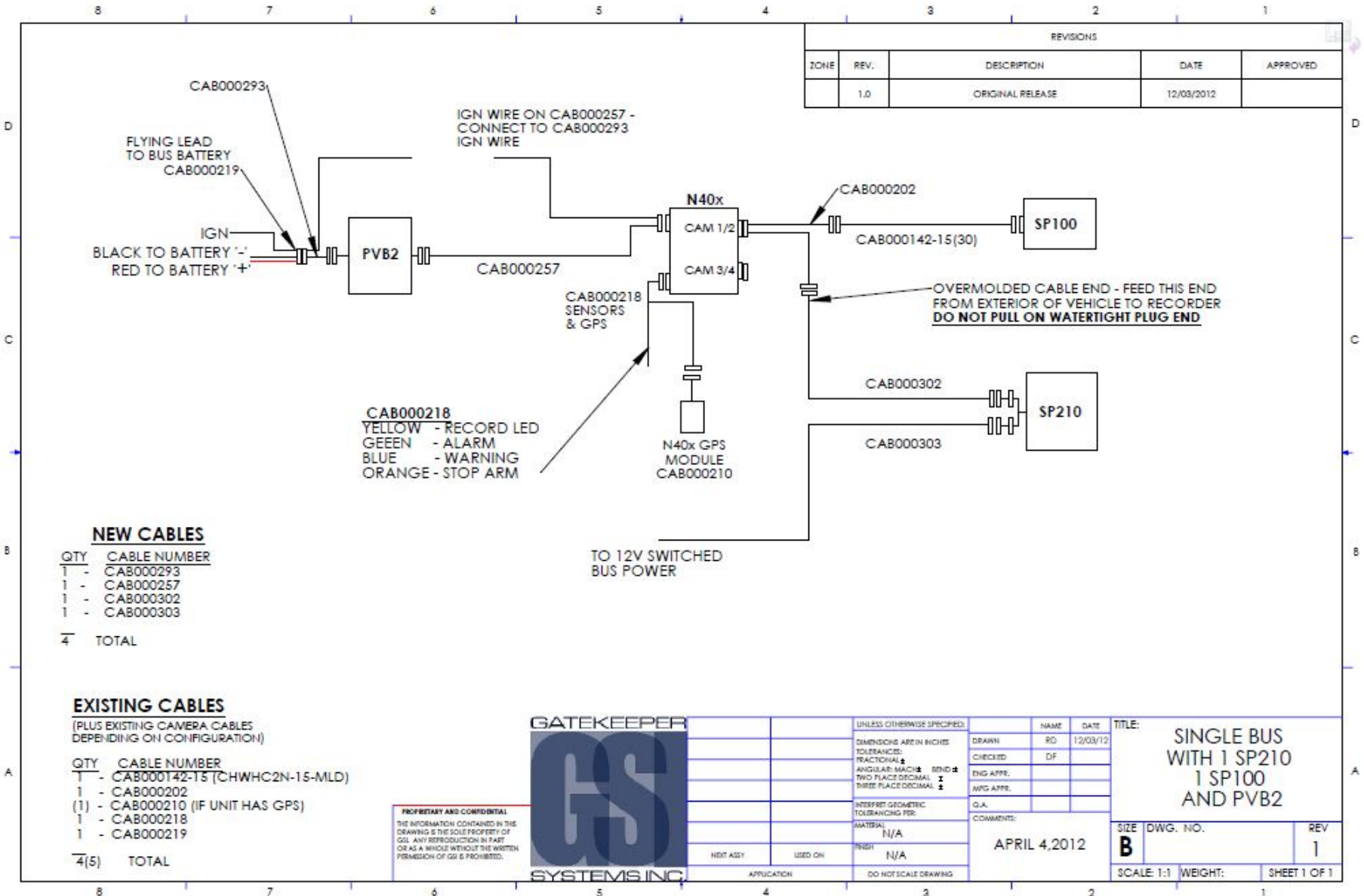
Stop Arm Camera System with two SP-210 and one SP-100

This system is designed for States/Provinces that have only rear license plates.

Please refer to the appropriate wiring diagram from the next two pages.

Notes:

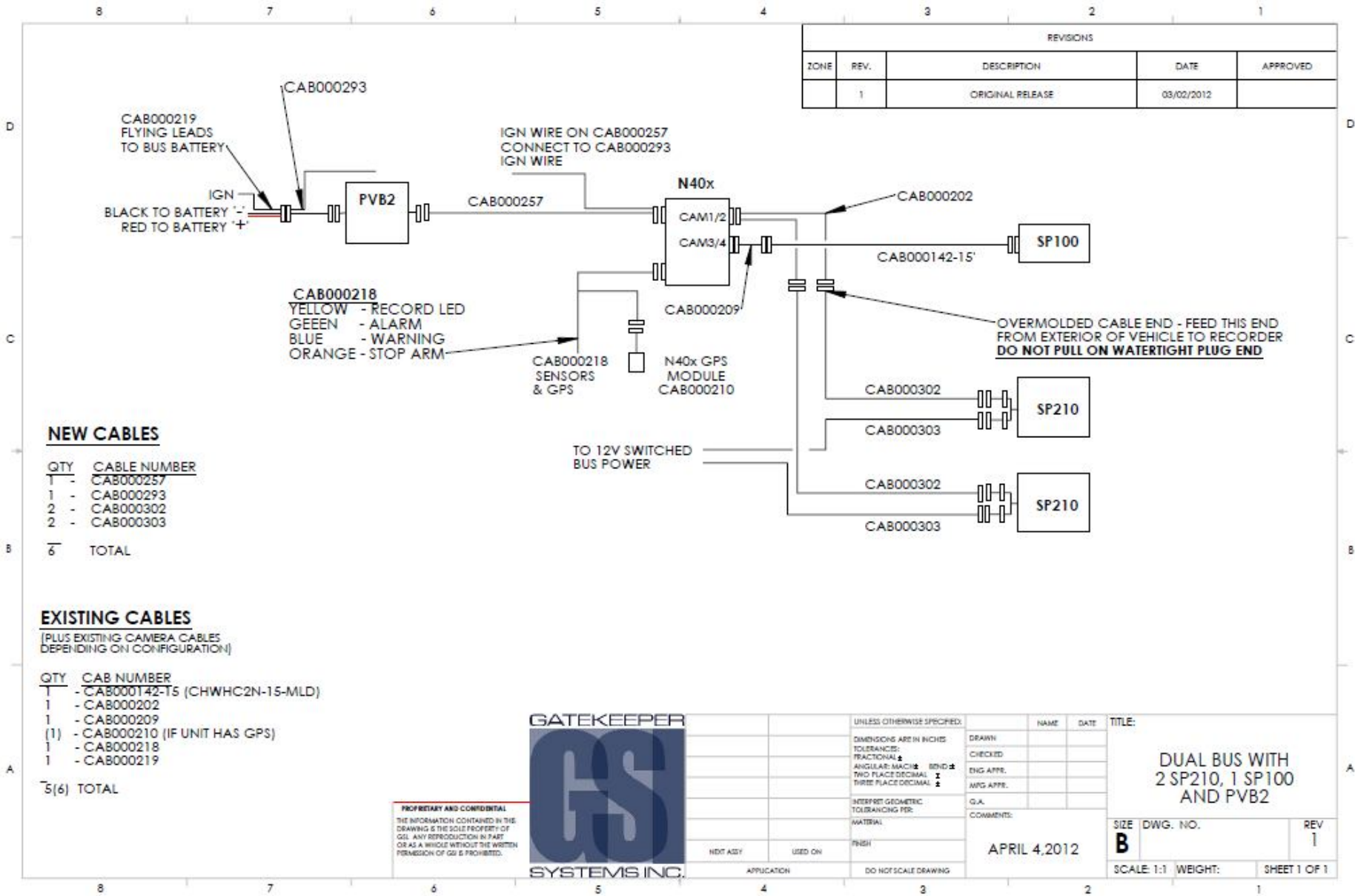
- Cable numbers are shown on the diagrams and the physical cables are also labelled.
- The individual wires and colors for the CAB 0000218 Sensor GPS cable are documented in the lower left portion of the diagram.
- The PVB2 is the Power Vault Battery device. The PVB2 ensures that power is delivered to the system even during engine cranks.
- The PVB2 and Nitro 404 recorder must be mounted inside so that it is protected from any water spray. Typical mounting locations include inside the bulkhead, on the bulkhead, in compartment above drivers head or on/in the console next to the driver. Mounting locations will vary depending on the bus design.
- The drawings show connections for the Nitro 404 and the NitroX 404. Cables number in parentheses are for the NitroX 404. The NitroX supports SDXC cards (up to 128GB) while the Nitro support SDHC cards (up to 32 GB).



PROPRIETARY AND CONFIDENTIAL
 THE INFORMATION CONTAINED IN THIS DRAWING IS THE SOLE PROPERTY OF GSI. ANY REPRODUCTION IN PART OR AS A WHOLE WITHOUT THE WRITTEN PERMISSION OF GSI IS PROHIBITED.

UNLESS OTHERWISE SPECIFIED:	NAME	DATE
DIMENSIONS ARE IN INCHES	DRAWN	RD
TOLERANCES:	CHECKED	DF
FRAC TIONAL ±	ENG APPR.	
ANGULAR: MACH ±	WRG APPR.	
TWO PLACE DECIMAL ±	Q.A.	
THREE PLACE DECIMAL ±	COMMENTS:	
INTERPRET GEOMETRIC TOLERANCING PER:		
MATERIAL:		
FINISH:		
APPLICATION:		
USED ON:		
DO NOT SCALE DRAWING		

TITLE: SINGLE BUS WITH 1 SP210 1 SP100 AND PVB2		
SIZE	DWG. NO.	REV
B		1
SCALE 1:1	WEIGHT:	SHEET 1 OF 1



REVISIONS				
ZONE	REV.	DESCRIPTION	DATE	APPROVED
	1	ORIGINAL RELEASE	03/02/2012	

NEW CABLES

QTY	CABLE NUMBER
1	- CAB000257
1	- CAB000293
2	- CAB000302
2	- CAB000303
6	TOTAL

EXISTING CABLES

(PLUS EXISTING CAMERA CABLES DEPENDING ON CONFIGURATION)

QTY	CAB NUMBER
1	- CAB000142-T5 (CHWHC2N-15-MLD)
1	- CAB000202
1	- CAB000209
(1)	- CAB000210 (IF UNIT HAS GPS)
1	- CAB000218
1	- CAB000219
5(6)	TOTAL



PROPRIETARY AND CONFIDENTIAL
 THE INFORMATION CONTAINED IN THIS DRAWING IS THE SOLE PROPERTY OF GSI. ANY REPRODUCTION IN PART OR AS A WHOLE WITHOUT THE WRITTEN PERMISSION OF GSI IS PROHIBITED.

UNLESS OTHERWISE SPECIFIED:	NAME	DATE	TITLE:
DIMENSIONS ARE IN INCHES			DUAL BUS WITH 2 SP210, 1 SP100 AND PVB2
TOLERANCES:	DRAWN		
FRACTIONAL: $\frac{1}{16}$	CHECKED		
ANGULAR: MACH: $\frac{1}{2}$ BOND: $\frac{1}{2}$	ENG APPR.		
TWO PLACE DECIMAL: $\frac{1}{10}$	MFG APPR.		
THREE PLACE DECIMAL: $\frac{1}{100}$	QA		COMMENTS:
INTERPRET GEOMETRIC TOLERANCING PER:			
MATERIAL:			
FINISH:			
DO NOT SCALE DRAWING			

SIZE	DWG. NO.	REV
B		1
SCALE: 1:1	WEIGHT:	SHEET 1 OF 1